

Uniclass	EPIC
L411:P43	D11:X421
CI/SfB	
(31-5) Xh4	



**comar**  
ARCHITECTURAL ALUMINIUM SYSTEMS

# comar7P.i HSD

## Horizontal Sliding Door System

### The Parkside Group Ltd

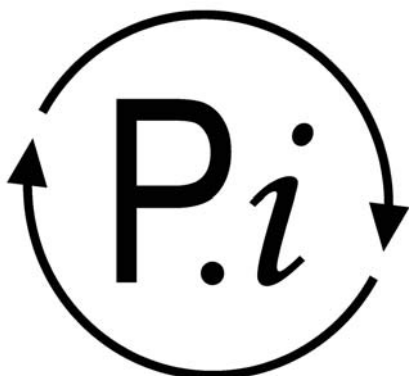
Unit 5, The Willow Centre  
17 Willow Lane, Mitcham  
Surrey CR4 4NX

Tel: +44(0) 20 8685 9685

Fax: +44(0) 20 8646 5096

Email: [sales@parksidegrp.co.uk](mailto:sales@parksidegrp.co.uk)

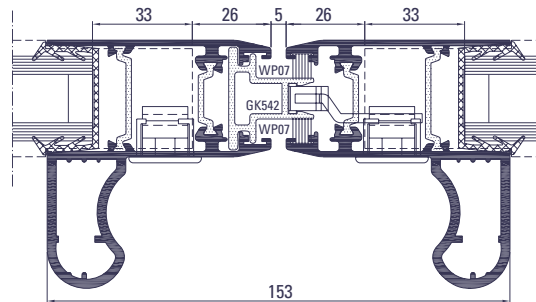
Web: [www.comar-alu.co.uk](http://www.comar-alu.co.uk)



complementing architecture

# design

## Comar 7P.i. HSD Central Meeting Stile



## Comar 7P.i. Horizontal Sliding Door

The Comar 7P.i. HSD is the latest addition to the innovative Comar 7P.i. door suite. With ever increasing demands for energy efficient building materials, Comar 7P.i. HSD incorporates the trademarked P.i. thermal efficiency providing low U-values with an aesthetically pleasing finish. P.i. is a 20mm – 35mm polyamide strip manufactured from reinforced glass fibre, which separates the inner and outer profiles, creating an extremely effective thermal break.

Comar 7P.i. HSD has been developed for applications where high specification, elegant solutions are a key design factor, such as offices, apartments, hospitals and schools. It provides a unique solution where other door types would cause an obstruction internally or externally.

Function is achieved by designing into this elegant profile suite the very latest components, ensuring the longevity of this solution. A polyamide track, with reinforced nylon tandem rollers, has a precision adjustment mechanism which means that the same components can be used on all sizes of doors. This also serves to

ensure long-term ease of maintenance as well as allowing for fabrication, profile and track tolerances. This is borne out by the testing in wet and sandy conditions of over 200,000 open/close cycles. The strength of the system is proven through the capability to carry 180kg of weight per roller. The tandem rollers and polyamide track can be replaced as part of general maintenance without the need to disassemble the door.

For applications where safety is a concern, door restrictors can be fitted to the door at increments to suit the application.

Form is met through the use of 38.5mm curved jambs and reinforced stiles incorporating full height handles. Exceptional weather performance is complimented with woolpile that has an integral plastic fin and bubble gaskets at the interlock.

For prestigious projects the frames can be dual colour, with different colours to the interior and exterior profiles.

# perform

## Combinations & Integration

The door system can be manufactured in the following combinations:

- 2 part sliding (2 track)
- 2 part sliding with fixed panes (2 track)
- 3 part sliding (3 track)
- 3 part sliding with fixed panes (2 track)
- 4 part sliding with fixed panes (2 track)

The inherent integration that is a cornerstone of all Comar products forms a natural element of the Comar 7P.i HSD. Comar 7P.i HSD can be coupled to the rest of the Comar 7P.i door configurations to form combinations of fixed, sliding, Tilt and Turn, pivot and casement composites as well as integrating into Comar 2 window walling and Comar 6 curtain walling. Comar 7P.i can be coupled directly to Comar 7P.i rebated doors to create sliding side lights to entrances.

## Locking Options

Locking options are achieved through a single action key that throws bolts to comply with the recommendations laid down by the Master Locksmith Association.

## Ventilation

In keeping with the latest building regulations, we would recommend the use of Comar-DUCOfat in-glaze ventilation which can provide air-flow up to 15,000mm<sup>2</sup>.

## Glazing Options

Panels and glass can be incorporated into Comar 7P.i HSD with options for 10-12mm or 23-29mm widths.

### Thermal Performance of Door Sets

Size	Centre Pane Value (W/m <sup>2</sup> K)		
	1.5	1.2	1.1
2600mm x 2100mm	2.15	1.97	1.83
2600mm x 2100mm	2.12	1.87	1.79
2600mm x 2750mm	2.08	1.84	1.75

Please Note: Sizes Based on 2 Pane 7P.i HSD Overall Frame.

### Size Limitations

Design Wind Pressure	Width	Height
600 Pa	1300mm	2750mm
1200 Pa	1300mm	2400mm
2400 Pa	1300mm	2100mm

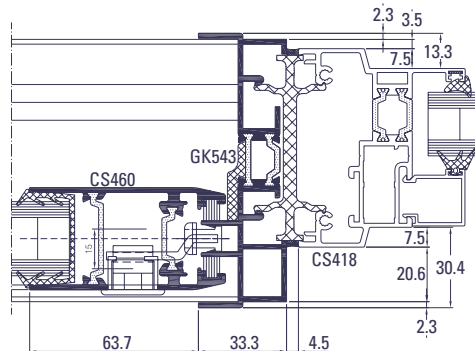
Two leaf size using CS 470



# COMAR 7P.i HSD

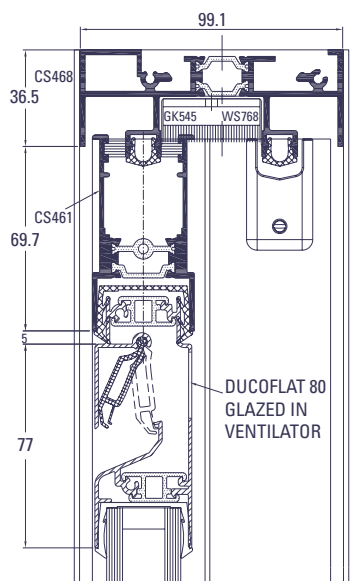
## Coupling Detail

General Arrangement showing coupling detail of Comar 7P.i HSD into Comar 5P.i Window System.



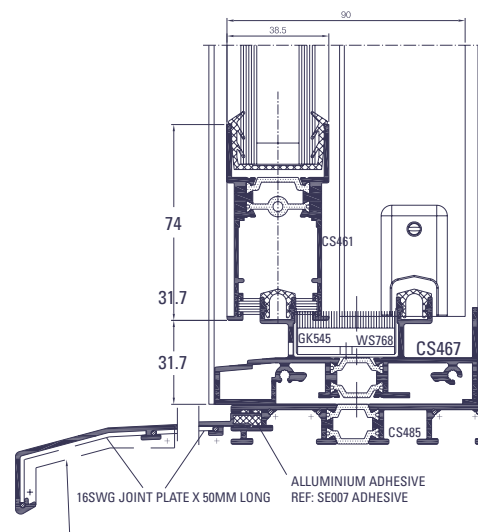
## In-frame Window Ventilator

General Arrangement showing glazed in Comar-DUCO Ventilator.



## Sill Detail

General Arrangement showing Comar 7P.i HSD Sill Detail



## Technical Back-Up

An experienced Sales Team covers the UK while the Technical Department offers an unsurpassed design and installation advice service to designers, specifiers and fabricators; simply call: +44(0) 20 8685 9685

## For More Information

To find out more about this or any other Comar Architectural Aluminium System, or to obtain your personal copies of the COMAR TECHNICAL MANUALS call: +44(0) 20 8685 9685 or fax on: +44(0) 20 8646 5096